



DRIP GUARD

Rooftop Defense Systems®

**Drip Guard®
Filter Replacement
Instructions**



Installation Basics and Tips

Before you begin to install the G2 Drip Guard Replacement Filters, there are some basic installation requirements that need to be followed.

These instructions contain two icons which aid in the proper installation of the G2 Drip Guard Filter Replacements.



This icon will give installation tips which will ensure proper installation.



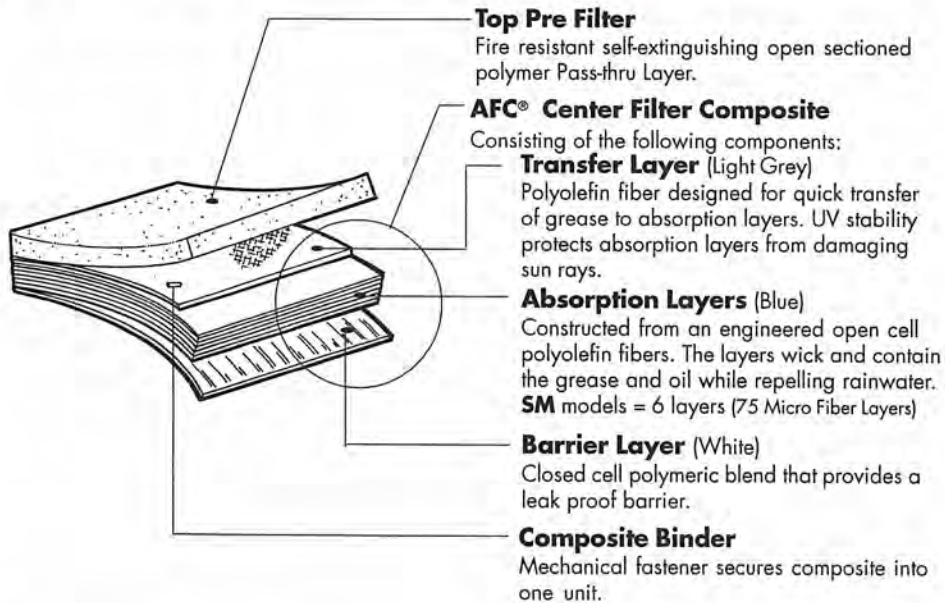
The warning icon will point out areas that require extra attention.

General Guidelines and Information

Warning!

Do not attempt to install or replace G2® Drip Guard® Filters under inclement weather, high winds, electrical storms or ice conditions, that will make installation dangerous. Stay clear of all power lines, antennas and phone lines during the installation.

About G2® Drip Guard® Filters



No Tools Required

Replacing the G2® Drip Guard® Filters

Step 1

Remove old Filters from the G2® Drip Guard®



The filters can be pulled out of the unit without disassembling the G2® Drip Guard® frame.

Step 2

Dispose of old Filters in the bag provided with replacement filters.

Step 3

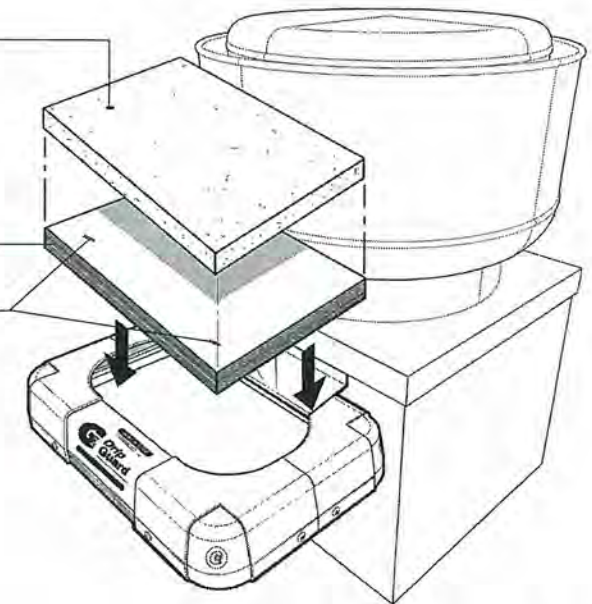
Place new Filter Replacement into the G2® Drip Guard® frame as shown below.

Top Pre Filter

AFC® Center Filter Composite with Barrier Layer facing down.

Composite Binder

Always place the side of the AFC® with the two composite binders toward the outside frame as shown here.



When placing the new filters into the frame, simply tuck the filters under the top lip of the frame in the correct order; the AFC® first with it's Barrier layer facing down, followed by the Top Pre filter.