



# GREASE GUARD®

Rooftop Defense Systems®

## Filter Replacement Instructions



### Table of Contents

Installation Basics & Tips	1
General Guidelines and Safety Information	1
Tools Required	1
G2® Filter Components List	2
<b>Remove Hold Down Poles</b>	<b>3</b>
G2® Filter Installation Types	3
<b>G2® Filter Curb Cut-Out Measuring</b>	<b>4-6</b>
<b>Cutting G2® Filters</b>	<b>6</b>
<b>Installing Cut Filters into the Frame</b>	<b>7</b>
Modular Filter Layouts	8
G2-72x108 Supplemental Filter Instructions	9

### Installation Basics and Tips

Before you begin to install the G2 Grease Guard Replacement Filters, there are some basic installation requirements that need to be followed.

These instructions contain two icons which aid in the proper installation of the G2 Grease Guard Filter Replacements.



This icon will give installation tips which will ensure proper installation.



The warning icon will point out areas that require extra attention.

### General Guidelines and Safety Information

Do not attempt to install G2 Grease Guard or G2 Replacement Filters under inclement weather, high winds, electrical storms or ice conditions, that will make installation dangerous. Stay clear of all power lines, antennas and phone lines during the installation.

**! Warning!**

Do not under any circumstances use a utility knife to cut the filters!



Utility knives will cut through to the roof surface causing serious damage to the roof. You will be responsible for any roof damage caused to the roof by the use of utility knives!

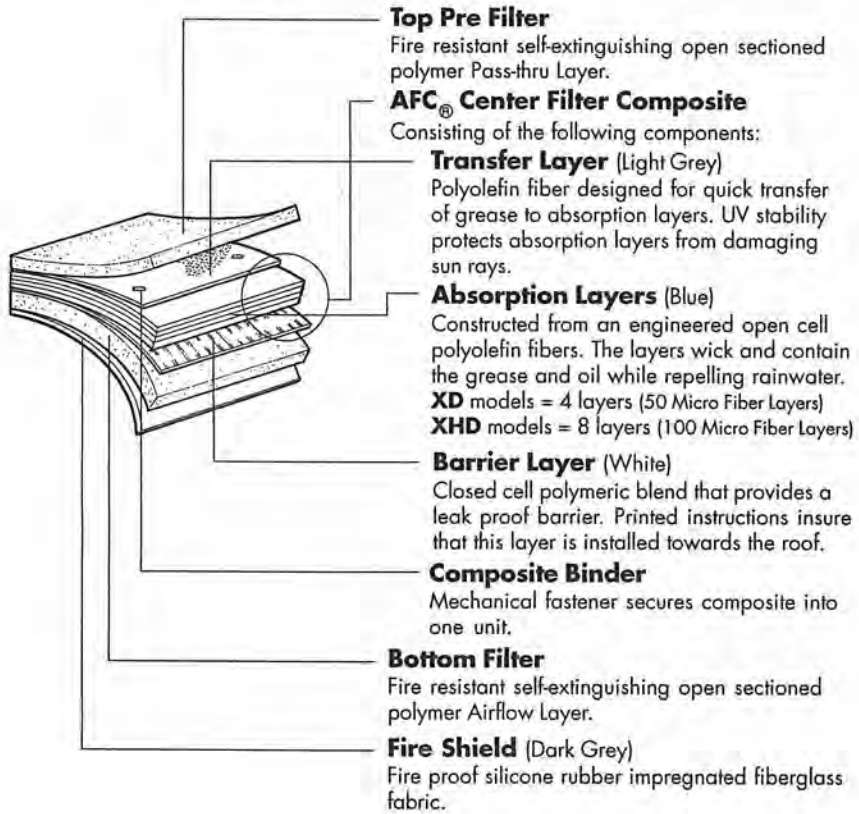
### Tools Required

The following tools are required for the installation of the G2 Grease Guard Replacement Filters:

- Industrial Type Scissors - (sharp)
- Tape Measure
- Permanent Marker
- Straight Edge

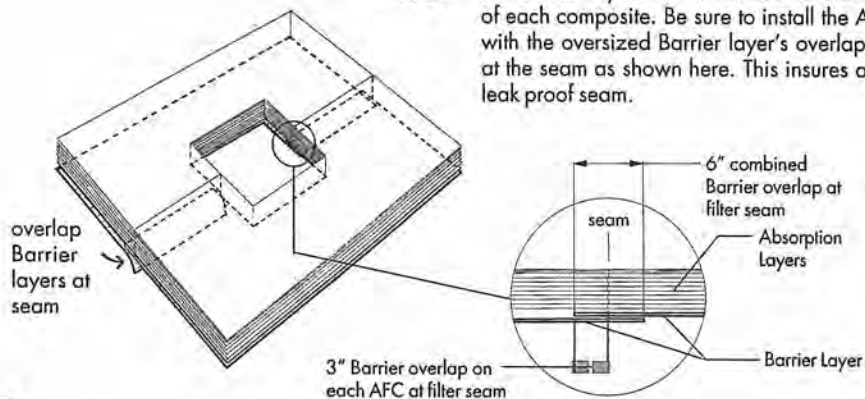
## G2® Filter Components List

The following is a description of the G2® filter components in their proper arrangement.



### Oversize Barrier Layer

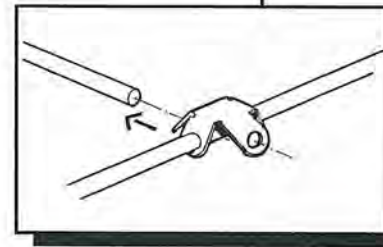
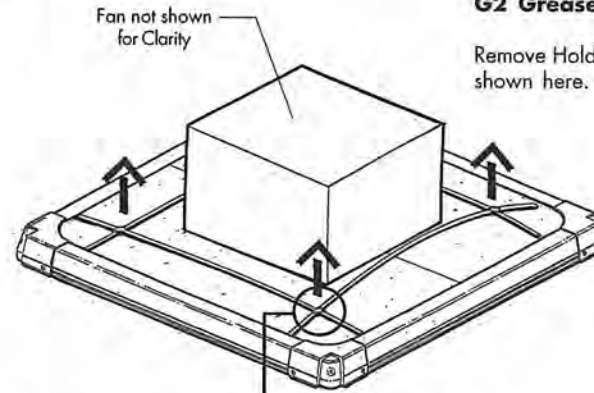
The Barrier layer is 3" oversized on one side of each composite. Be sure to install the AFC's with the oversized Barrier layer's overlapping at the seam as shown here. This insures a leak proof seam.



## Remove Hold Down Poles

### Remove all Hold Down Poles From the G2 Grease Guard

Remove Hold Down Pole Assembly in fact as shown here.

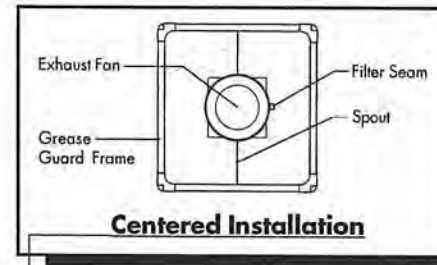


**For Obstructions;** remove the Hold Down Pole Connector at one intersection (as shown here) in order to remove the HDP Assembly from the G2 Grease Guard Unit

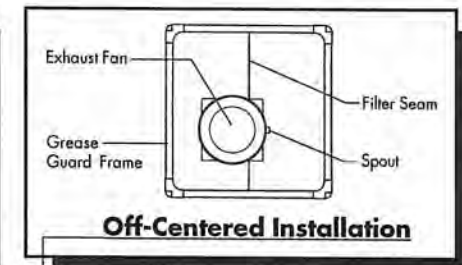
Obstructions may include; electrical conduit, gas pipe, structural supports, etc.....

## G2® Filter Installation Types :

**Note:** Illustrations below are Top View drawings.



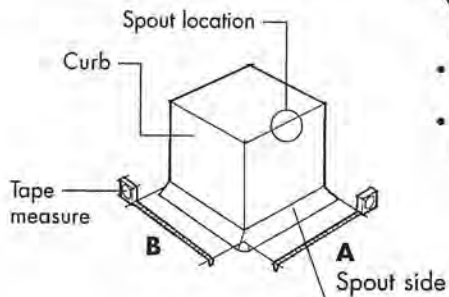
Go to **Step ①** of G2® Filter Measuring Section



Go to **Step ②** of G2® Filter Measuring Section

## G2 Filter Curb Cut-Out Measuring

### Step 1



#### Centered Installation

- Measure two adjoining sides of the curb.
- Record the dimensions in the space provided below.

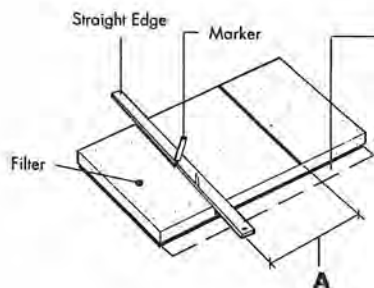
Dimension A	Dimension B
<input type="text"/>	<input type="text"/>

**Cant** - When a Cant is present refer to **Step 3** for measuring filters to fit.

**!** Always place filter seam along side B, away from Spout Side A.

### Step 1A

**!** Draw Pattern for Curb Cut-Out onto **Filters** in the proper order which they are placed into the frame; **Fire Shield, Bottom filter, AFC, and Top Pre Filter.**



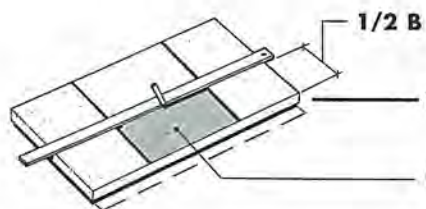
**!** Be sure to measure and cut the AFC layer with the 3" oversized Barrier positioned at the seam.

**Width = Dimension A** centered onto filter.

Draw the width (Dimension A) pattern onto one half of the filter layer as shown in the illustration.

Use a marker and a straight edge to draw the curb cutout pattern onto filters.

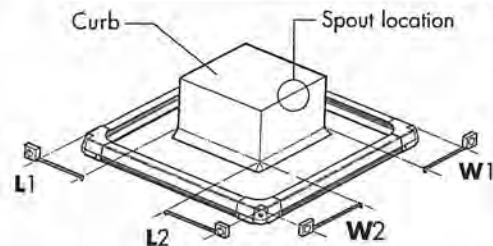
**!** A piece of flashing makes a good straight edge.



**Length = 1/2 of Dimension B**

**Curb Cut-Out Pattern** - go to Step 3

### Step 2



#### Off-Centered Installation

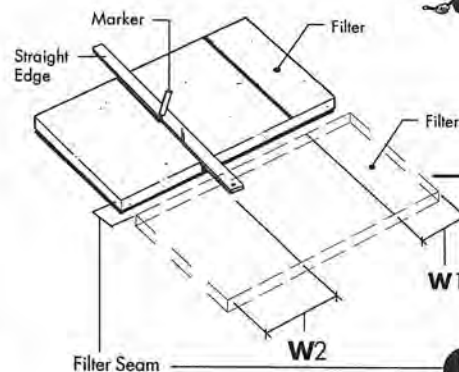
- Measure the distance from the outside edge of the frame to the curb on all sides of the unit as shown in the illustration.
- Record the dimensions in the space provided below.

Dimension L1	Dimension L2	Dimension W1	Dimension W2
<input type="text"/>	<input type="text"/>	<input type="text"/>	<input type="text"/>

**!** Always place filter seam along side of curb opposite the spout side.

### Step 2A

**!** Draw Pattern for Curb Cut-Out onto **Filters** in the proper order which they are placed into the frame; **Fire Shield, Bottom Filter, AFC, and Top Pre Filter.**

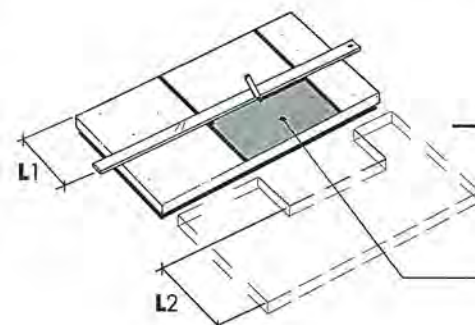


**Width = Dimension W1 & W2**

Draw the width (Dimension's W1 & W2) pattern onto both halves of the filter layer as shown in the illustration.

**!** Be sure to measure and cut the AFC layer with the 3" oversized Barrier positioned at the seam.

Use a marker and a straight edge to draw the curb cutout pattern onto filters.



**Length = Dimension L1 & L2**

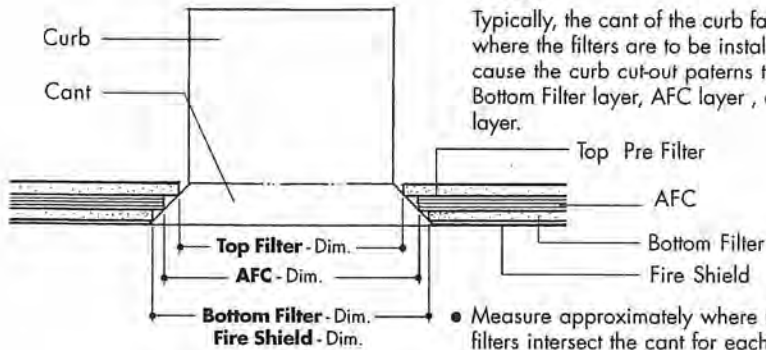
Draw the length (Dimension's L1 & L2) pattern onto both halves of the filter layer as shown in the illustration.

**Curb Cut-Out Pattern** - go to Step 3

### Step 3

#### Measuring a filter curb cut-out with a cant

Typically, the cant of the curb falls into the area where the filters are to be installed. This will cause the curb cut-out patterns to be different for Bottom Filter layer, AFC layer, and Top Pre Filter layer.



- Measure approximately where the edge of the filters intersect the cant for each filter layer as shown in the illustration.

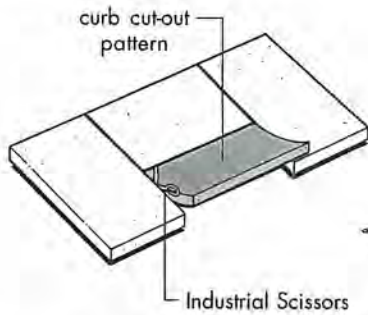
Repeat Step 1 or Step 2 for each filter layer to ensure a tight fit up against curb cant.

### Cutting G2 Filters

#### Step 1

##### Cut-out pattern

Using sharp industrial scissors, cut-out pattern drawn in Step 1 or Step 2.

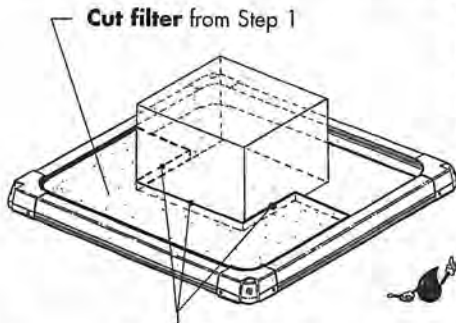


For best results when cutting the AFC, cut thru 2 absorption (blue) filters at a time.

#### Step 2

##### Check cut filter for fit

Lay cut filter into frame to check fit with the curb. A good fit would be tight up against the curb with no gaps between the curb and the cut filter.



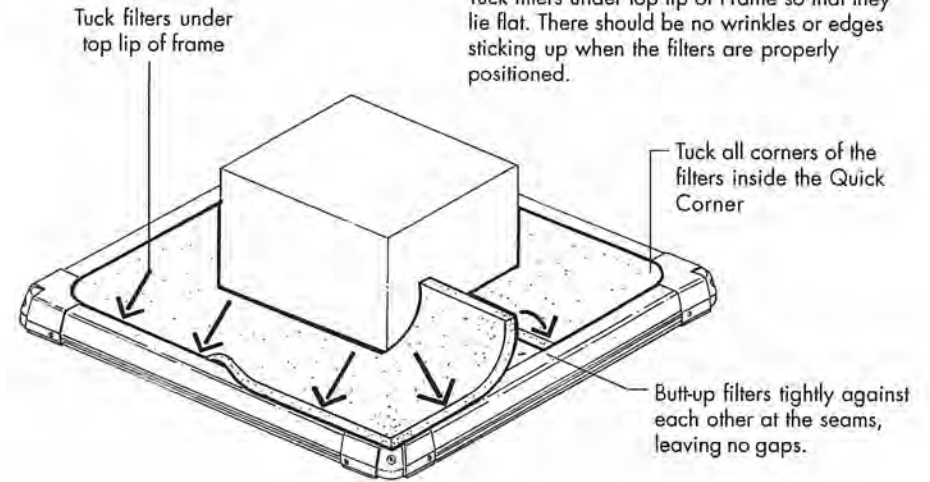
For centered installation with no curb cant, use this filter as a template to cut the rest of the filters.

**Check for:** Tight fit with no gaps against curb.

### Installing Cut G2 Filters into the Frame

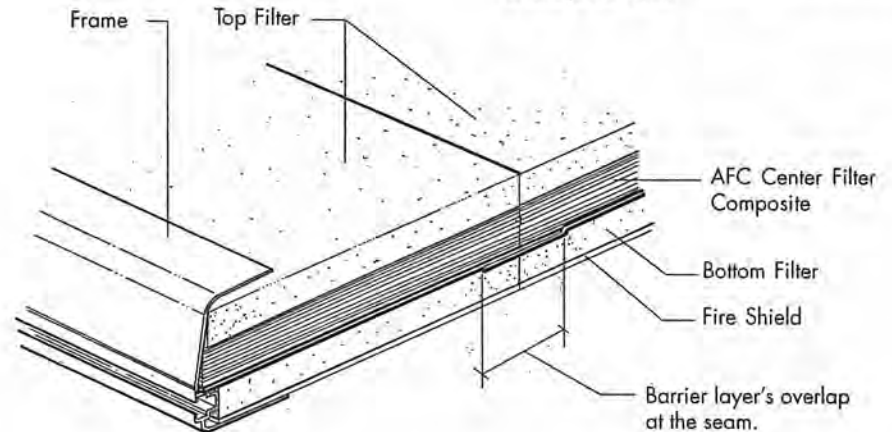
#### Install filters into frame

Tuck filters under top lip of Frame so that they lie flat. There should be no wrinkles or edges sticking up when the filters are properly positioned.




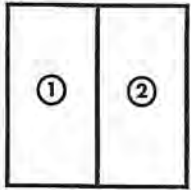
When the filter seam is located at a grease spill area, be sure to take any scrap Absorption filters and place them on top of the seam for added protection. Always try however, to place seam away from a grease spill area.

**!** Be sure to install the AFC's with the oversized Barrier layer's overlapping at the seam as shown here. This insures a leak proof seam.

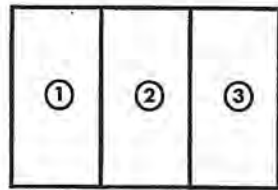


## Modular Filter Layouts: Plan View

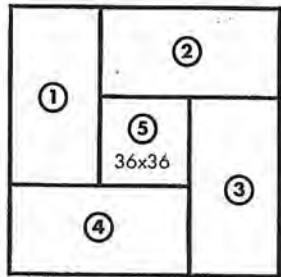
 All modular filter layouts below are shown as solid filter units without a curb cut-out. Refer to the G2 Filter Curb Cut-Out instructions starting on page 4 for adding a curb cut-out to your application.



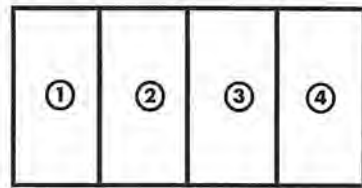
Unit	Filter Size
G2-48	24x48
G2-60	30x60
G2-72	36x72



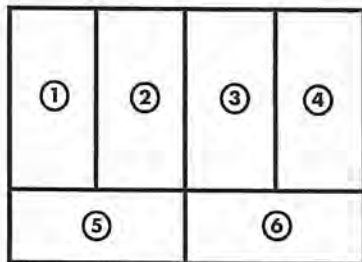
Unit	Filter Size
G2-60x90	30x60
G2-72x108	36x72



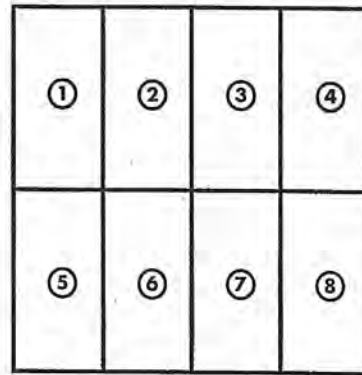
Unit	Filter Size
G2-90	30x60, 36x36
G2-108	36x72, 36x36



Unit	Filter Size
G2-60x120	30x60
G2-72x144	36x72




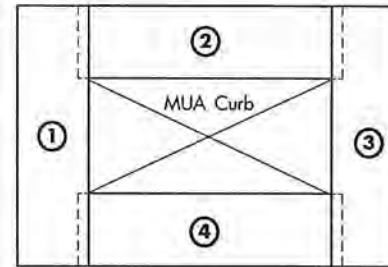
Unit	Filter Size
G2-90x120	30x60
G2-108x144	36x72



Unit	Filter Size
G2-120	30x60
G2-144	36x72

## G2-72x108 MUA Supplemental Filter Replacement Instructions

 The G2-72x108MUA (Make Up Air) Modular Filter Layout below is shown in plan view. The filters for G2-72x108MUA are layout to form a natural Curb Cut-Out. Refer to the G2 Filter Curb Cut-Out instructions starting on page 4 for cutting the filters to fit your application.



Unit	Filter Size
G2-72x108MAU	20x72

