



GREASE GUARD®

Rooftop Defense Systems®

Side Wall Mount Assembly and Installation Instructions

Table of Contents

Installation Basics & Tips	1
General Guidelines and Safety Information	1
Tools Required	1
Side Wall Mount Parts List	2
Additional Items Required	3
G2® Side Wall Mount Unit Assembly	3-8
Flashing Installation	9
G2® Side Wall Mount Unit Installation	10-11
Flashing Hole Pattern	12
G2® Side Wall Mount Unit Hole Pattern	13
Troubleshooting	14
Service & Maintenance	14
Warranty Information	15

Installation Basics and Tips

Before you begin to install the G2® Side Wall Mount Grease Guard®, there are some basic installation requirements that need to be followed.

These instructions contain two icons which aid in the proper installation of the G2® Side Wall Mount Grease Guard®.



This icon will give installation tips which will ensure proper installation.



The warning icon will point out areas that require extra attention.

General Guidelines and Safety Information

! Warning!

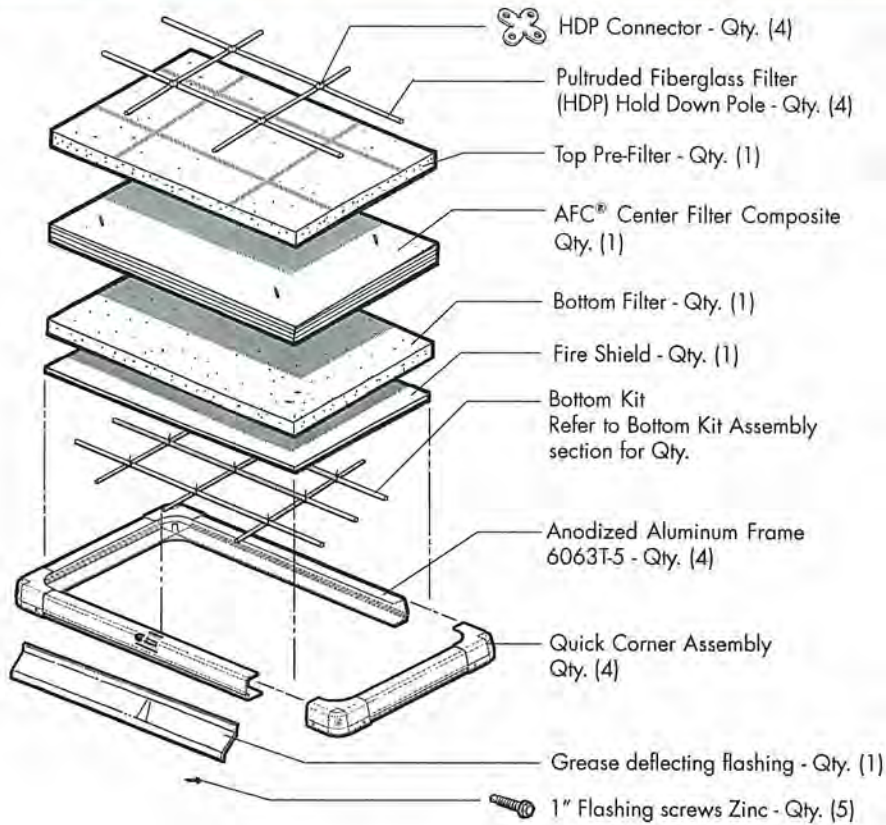
Do not attempt to install G2 Side Wall Mount Grease Guard under inclement weather, high winds, electrical storms or ice conditions, that will make installation dangerous. Stay clear of all power lines, antennas and phone lines during the installation.

Tools Required

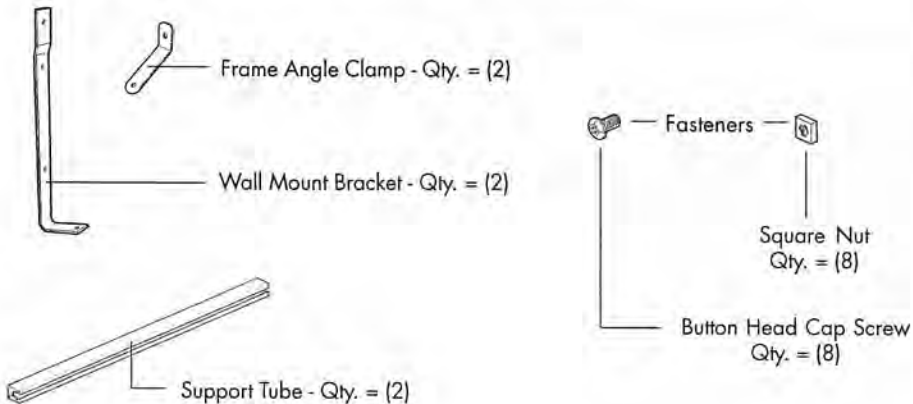
The following tools are required for the installation of the G2 Side Wall Mount Grease Guard:

- 5/16" Hex key (provided with unit)
- 5/16" Hex head drive socket
- Drill (with drill bits)
- Tape measure
- General purpose level
- Permanent marker

Parts List



Wall Mounting Components:



2

Additional Items Required

! Please note that these additional items are not included with the G2 Grease Guard®, but need to be purchased before installing the G2 Grease Guard®.

Depending upon the type of building construction the G2 Grease Guard® is being installed upon, the following example shows the required items needed to install the G2 Grease Guard® properly to the building :

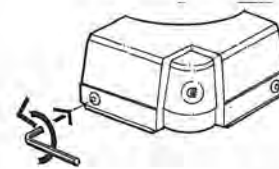
Example for masonry installation

Masonry anchors for 3/8" bolts (4 req'd)
 All-purpose 3/16" plastic masonry anchors (5 req'd)
 - for supplied flashing screws
 3/8" x 2" bolts (4 req'd)
 3/8" lock washer (4 req'd)
 Masonry drill bits

The building material type will dictate the specific fastening devices required.

G2. Frame Assembly

Step 1



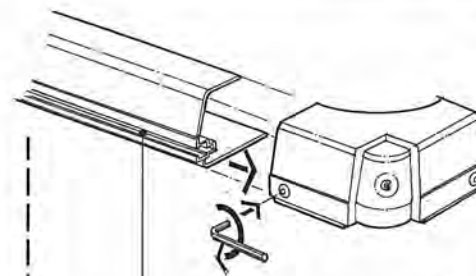
Quick Corner Hardware Assembly

Loosen each Quick Corner Hardware Assembly 3 (counter clockwise) revolutions using 5/16" hex wrench. (If screw backs out - press back into Quick Corner.) Repeat this procedure on hardware assemblies for all (4) Quick Corners.



Loosening the Quick Corner Hardware Assembly is necessary for proper fit with Frame extrusions.

Step 2



Frame Track

Attaching Quick Corner to Frame

Align Frame track with the square nut and corner strap guide inside the Quick Corner. Insert Frame until it stops inside Quick Corner. Once Frame is inserted use the 5/16" Hex Wrench to tighten and secure Frame to Quick Corner.

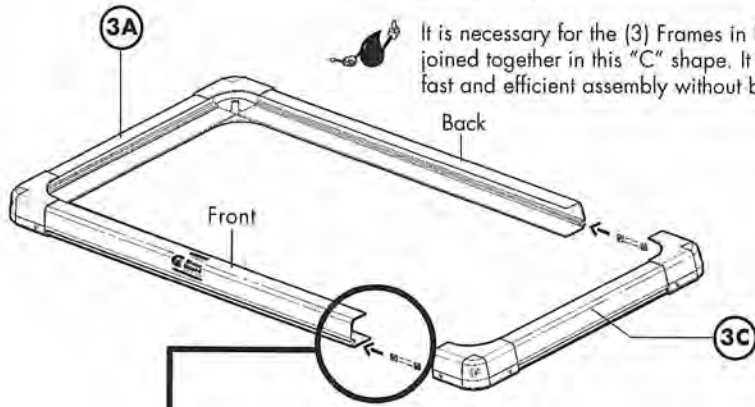


Refer to **Step 3** for proper sequential order of Frame and Quick Corner assembling.

3

Step 3A

Referring to the instructions from Step 2, construct a "C" shape using (3) Frames and (2) Quick Corners as shown below.



It is necessary for the (3) Frames in Step 3A to be joined together in this "C" shape. It will allow for a fast and efficient assembly without bending the frame.

3B

Place (2) Square Nuts into the tracks on both the Front and Back Frames as shown here.

The Square nuts will be used for securing the wall mounting components to the frame.

To keep the Square Nuts from sliding into the Quick Corners during the assembly, thread a Button Head Cap Screw into each Square Nut.

Step 3C

Referring to the instructions from Step 2, attach (1) Quick Corner to each end of remaining Frame member. See above illustration assembly 3C.

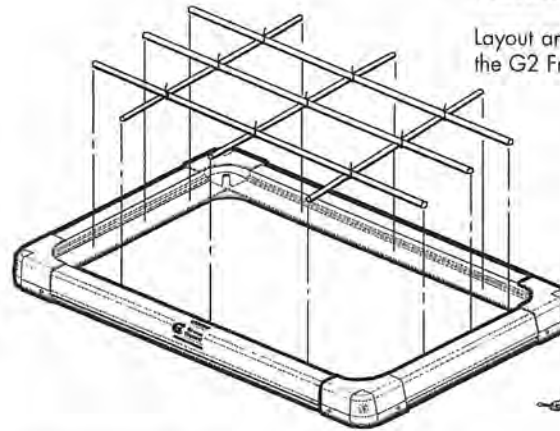
Complete assembly of the frame by inserting the ends of the "C" shape (refer to Step 3A) into the Quick Corners attached to Frame assembly 3C. Once in place, be sure to tighten and secure all Quick Corners to the Frames using the 5/16" hex wrench.

Bottom Kit Assembly

Step 1

Assemble Bottom Kit (BK) into G2 Frame

Layout and insert the BK Pole Configuration into the G2 Frame as shown here.



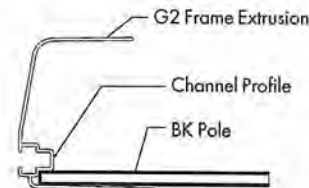
Use this chart to check the quantity of BK Poles and BK Ties for your G2 Side Wall Model.

	G2-24X24SW	G2-24X36SW	G2-36X36SW	G2-36X48SW
Pole/Qty.	24"/6	24"/3	36"/6	36"/3
Pole/Qty.	-	36"/3	-	48"/3
BK Tie Qty.	9	9	9	9

Step 1A

Placement of BK Poles into G2 Frame

Position Bottom kit Poles under the channel profile inside of the G2 Frame extrusion as shown here.



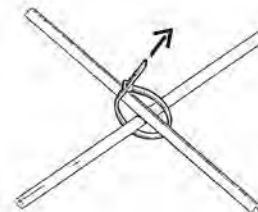
Side View

Step 1B

Installing BK Ties

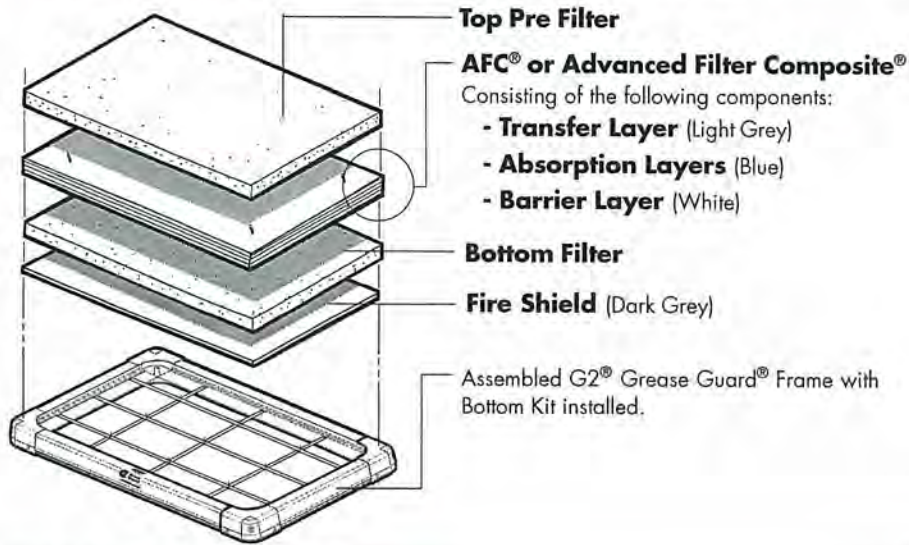
Loop BK Tie around intersecting BK Poles as shown.

Pull flat end of BK Tie thru the latched end of BK Tie until tight as shown.



G2® Filter Installation

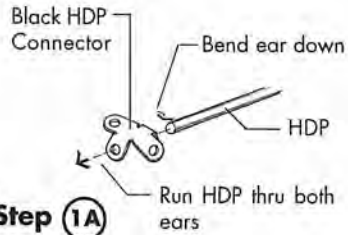
Install filters into the G2® Grease Guard® Frame as illustrated below.



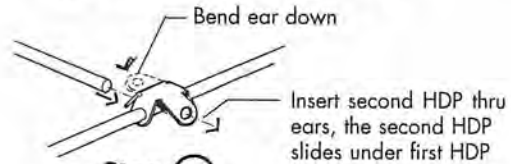
Hold Down Pole Installation

Step 1

HDP Connector Installation

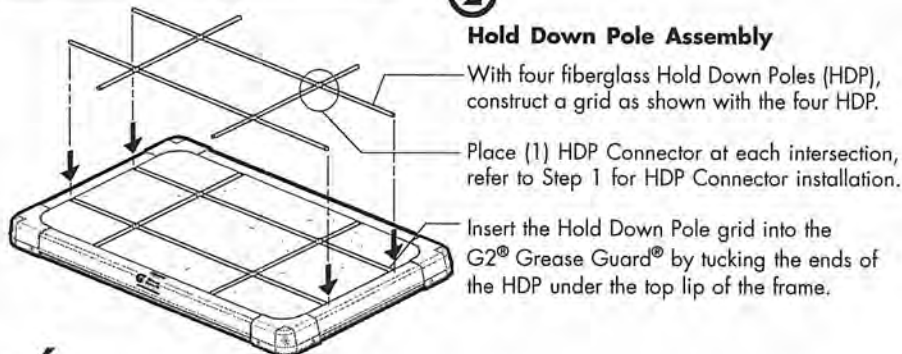


Step 1B



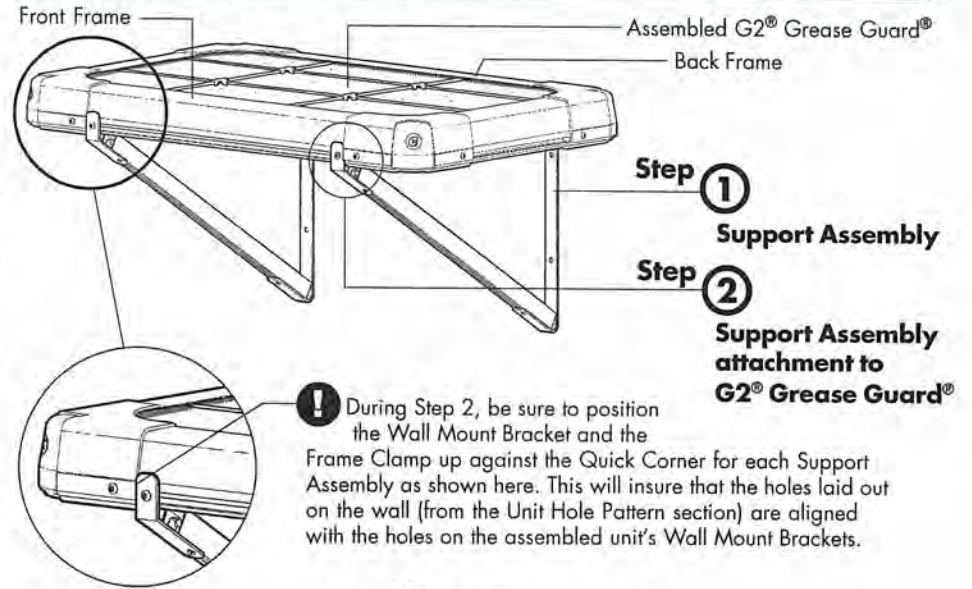
Step 2

Hold Down Pole Assembly



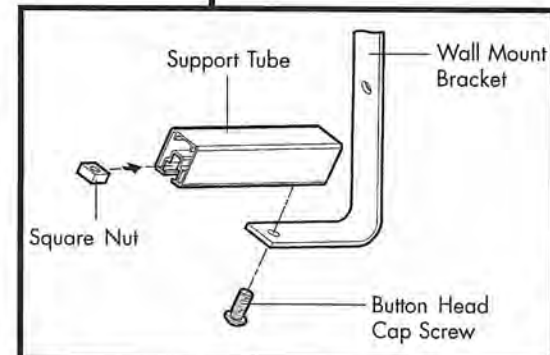
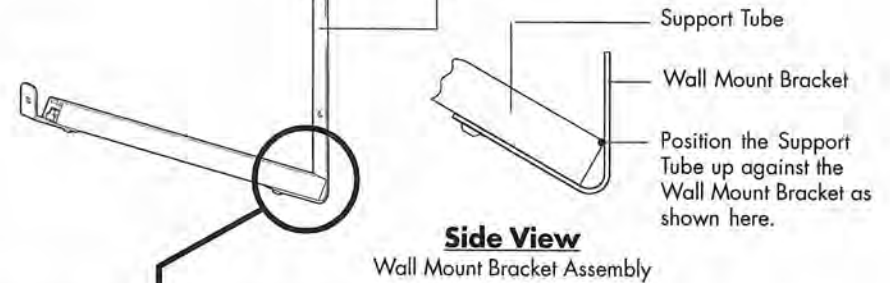
6

Wall Mounting Kit Assembly



Step 1

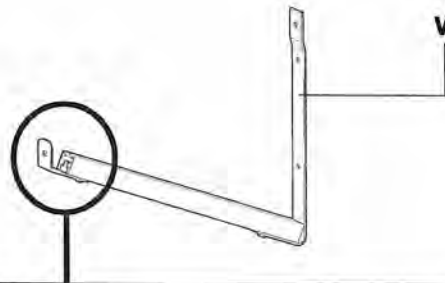
Support Assembly



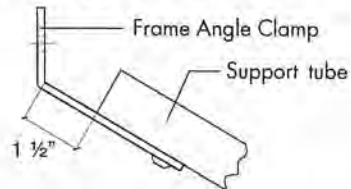
Position the Support Tube as shown in the Side View illustration above.

This assembly can be adjusted to level the unit once mounted to the wall, see leveling illustration in the G2® Grease Guard® Installation section.

7



Wall Mount Support Assembly

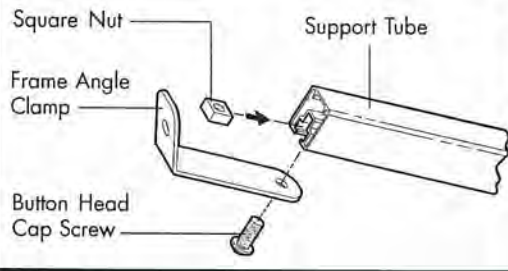


Side View

Frame Angle Clamp Assembly

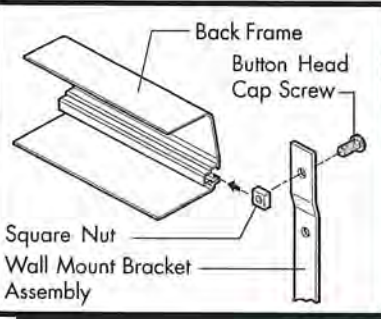
Attach Wall Mount Bracket to the Support Tube using (1) square nut and (1) button head cap screw as shown here.

Position the Support Tube 1 1/2" away from the Frame Angle clamp as shown in the Side View illustration above. This is necessary for proper alignment with the frame in Step 2.



Step 2

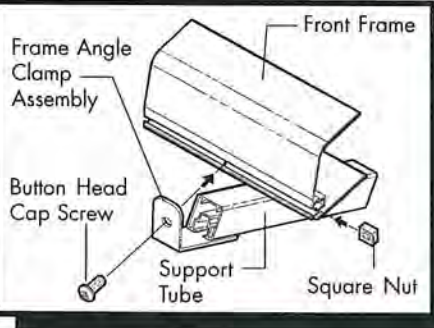
Support Assembly Attachment to G2® Grease Guard®



Attach the Wall Mount Bracket of the Support Assembly the back frame member of the assembled G2® Grease Guard®.

Thread (1) Button Head Cap Screw thru the top hole of the Wall Mount Bracket and into the Square Nut inside of the frame track.

The Square Nuts were inserted into the frame in Step 3A of the G2® Frame Assembly Section)



Attach the Frame Angle Clamp of the Support Assembly the front frame member of the assembled G2® Grease Guard®.

Thread (1) Button Head Cap Screw thru the hole of the Frame Angle Clamp and into the Square Nut inside of the frame track.

The Square Nuts were inserted into the frame in Step 3A of the G2® Frame Assembly Section)

Note: Steps 1 & 2 are to be repeated to makeup the (2) Support Assemblies required for the unit.

Flashing Installation

Step 1

Layout Flashing Hole Pattern

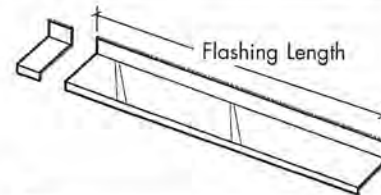
Refer to the chart and diagram in the *Flashing Hole Pattern Layout* section (page 12) for the proper dimensions and location of the anchor holes for the flashing.

Layout and drill the appropriate size holes for the 3/16" anchors (not provided, refer to additional items section).

Step 2

Cut Flashing to length

Cut the flashing to the length listed in the chart below that matches your G2 Side Wall Model.

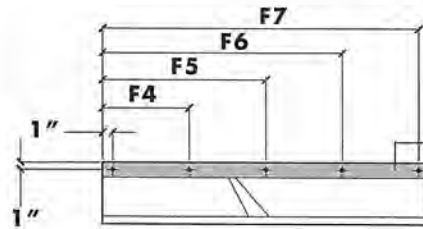


	G2-24X24SW	G2-24X36SW G2-36X36SW	G2-36X48SW
Flashing Length	18"	30"	42"

Step 3

Predrill holes into flashing

Mark the flashing mounting flange to match the hole pattern on the wall from Step 1 using the chart below. Once marked, predrill 1/4" holes.



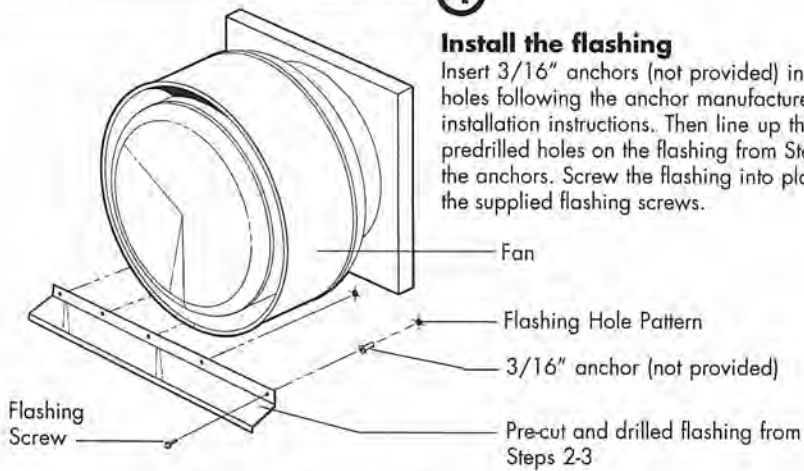
Front View of Flashing

	G2-24X24SW	G2-24X36SW G2-36X36SW	G2-36X48SW
F4	5"	8"	11"
F5	9"	15"	21"
F6	13"	22"	31"
F7	17"	29"	41"

Step 4

Install the flashing

Insert 3/16" anchors (not provided) into the (5) holes following the anchor manufacturers installation instructions. Then line up the predrilled holes on the flashing from Step 3 with the anchors. Screw the flashing into place using the supplied flashing screws.



G2® Grease Guard® Installation

Step 1

Layout G2® Grease Guard® Hole Pattern

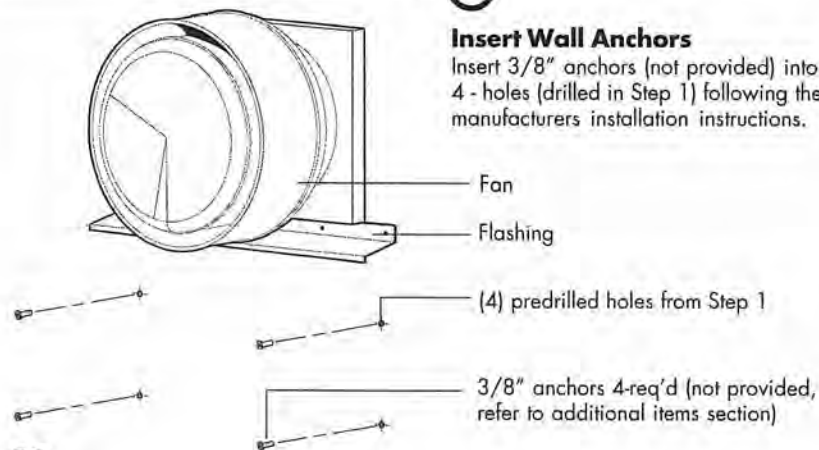
Refer to the chart and diagram in the G2® Grease Guard® Hole Pattern Layout section (page 13) for the proper dimensions and location of the anchor holes for the Wall Mounting Brackets.

Layout and drill the appropriate size holes for the 3/8" anchors (not provided, refer to additional items section).

Step 2

Insert Wall Anchors

Insert 3/8" anchors (not provided) into the 4 - holes (drilled in Step 1) following the anchor manufacturers installation instructions.

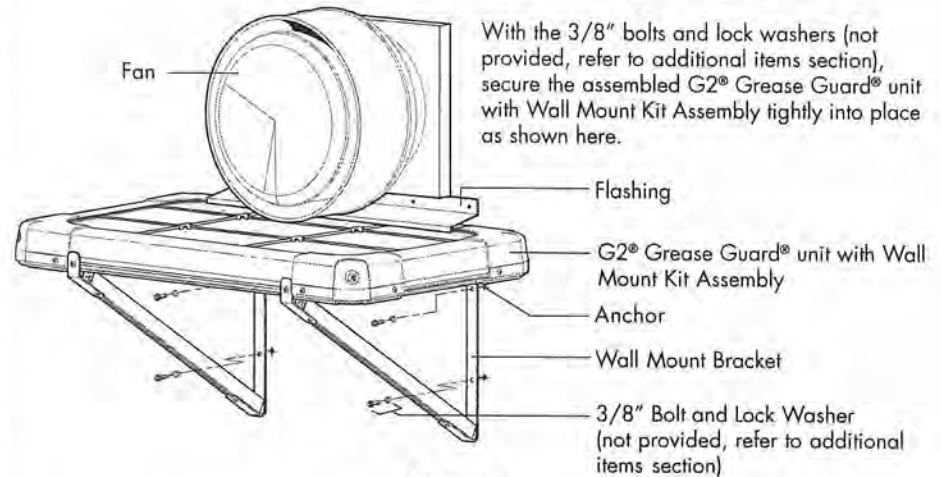


Step 3

Install the G2® Grease Guard®

Align the holes on the Wall Mount Brackets with the anchors inserted into the wall in Step 2.

With the 3/8" bolts and lock washers (not provided, refer to additional items section), secure the assembled G2® Grease Guard® unit with Wall Mount Kit Assembly tightly into place as shown here.



Step 4

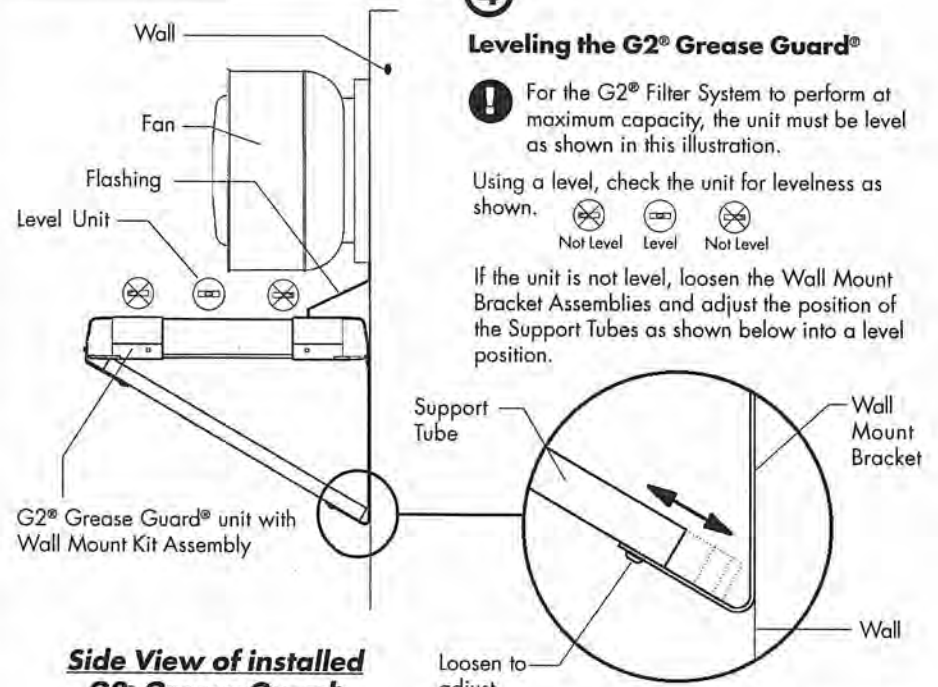
Leveling the G2® Grease Guard®

! For the G2® Filter System to perform at maximum capacity, the unit must be level as shown in this illustration.

Using a level, check the unit for levelness as shown.



If the unit is not level, loosen the Wall Mount Bracket Assemblies and adjust the position of the Support Tubes as shown below into a level position.



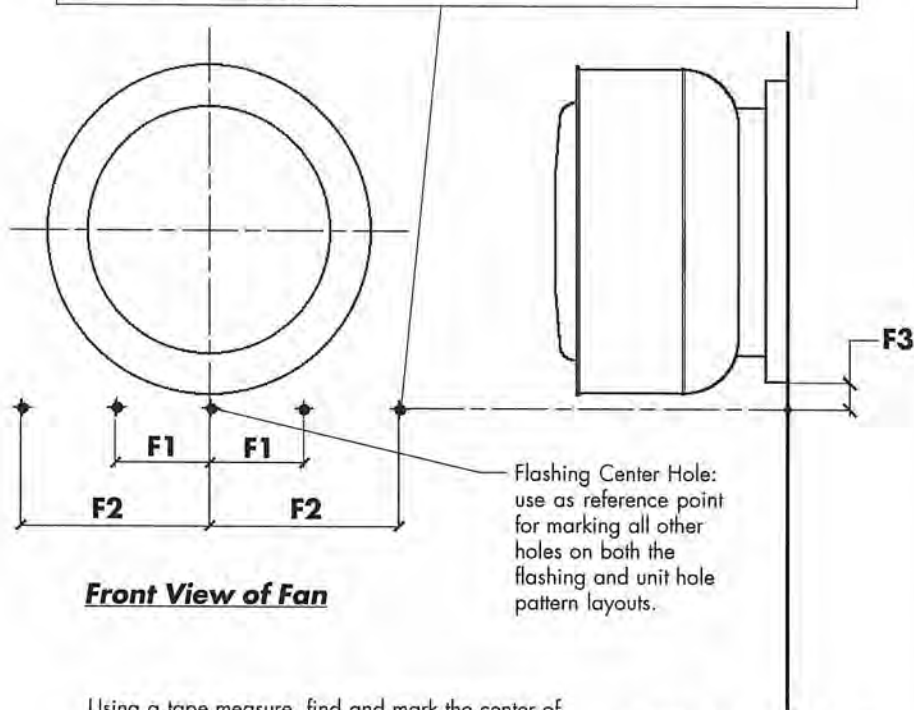
Side View of installed G2® Grease Guard®

Loosen to adjust

Once the Unit is in a level position, tighten Wall Mount Bracket Assemblies into place.

Flashing Hole Pattern Layout

The hole pattern below is for the flashing installation. Drill holes for 3/16" anchors (not provided, refer to additional items required section). The 3/16" anchors will fit with the supplied flashing screws.



Front View of Fan

Side View of Fan

Using a tape measure, find and mark the center of the fan on the wall. Once the center mark has been established, begin to use the dimensions in the chart below for the hole pattern layout.



Use the chart below to match your G2 Side Wall Model with the proper dimensions for the flashing hole pattern above.



Using a level, make sure that the (5) hole layout for the flashing is level horizontally.

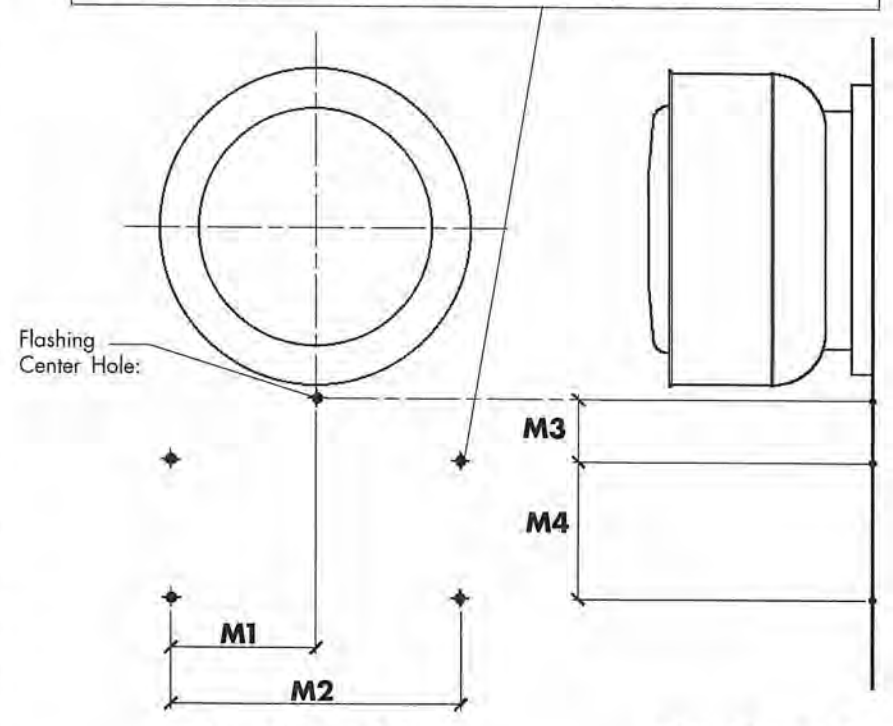
	G2-24X24SW	G2-24X36SW G2-36X36SW	G2-36X48SW
F1	4"	7"	10"
F2	8"	14"	20"
F3	1"	1"	1"



Note: if this is a masonry installation, adjust the dimension in the above chart accordingly so that the anchor holes are in the horizontal mortar joints.

G2® Side Wall Mount Unit Hole Pattern

The hole pattern below is for the G2 Side Wall Mount Unit installation. Drill holes for 3/8" anchors (not provided, refer to additional items required section).



Front View of Fan

Side View of Fan



Use the chart below to match your G2 Side Wall Model with the proper dimensions for the Unit hole pattern above.



Using a level, make sure that the (4) hole layout for the unit Wall Mounting Brackets are level horizontally.

	G2-24X24SW	G2-24X36SW	G2-36X36SW	G2-36X48SW
M1	5 1/8"	11 1/8"	17 1/8"	11 1/8"
M2	10 1/4"	22 1/4"	34 1/4"	22 1/4"
M3	9"	9"	9"	9"
M4	10 1/2"	10 1/2"	16"	16"



Note: if this is a masonry installation, adjust the dimension in the above chart accordingly so that the anchor holes are in the horizontal mortar joints. New holes can be drilled into the Wall Mounting Brackets to match up with any hole pattern changes.