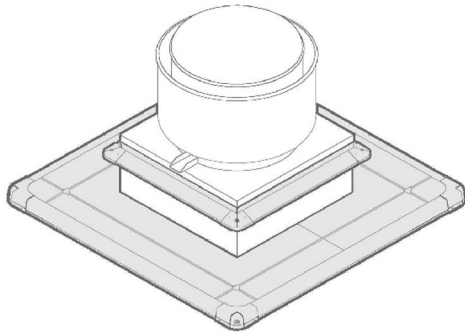


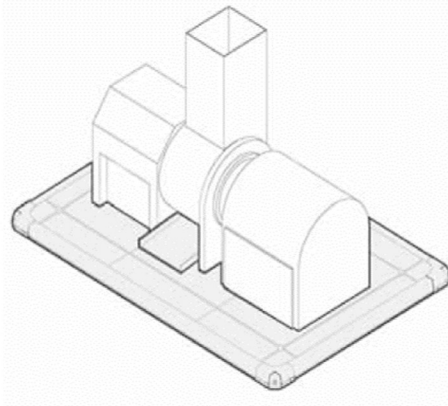
The information and images below will help you to determine basic types of exhaust fan & ventilation equipment you have, but also how much substance discharge is likely to occur as well as which Grease Guard product would most likely fit that specific scenario.



STANDARD GREASE GUARD

For use with typical upblast or downblast fans.

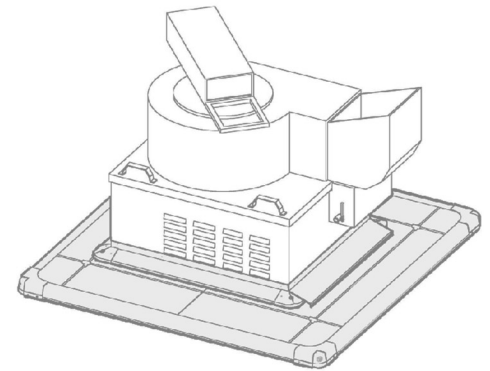
Model	Curb Dimensions
XD 66	Up to 38" x 38"
XD 99	Up to 71" x 71"



UTILITY GREASE GUARD

For use with utility or squirrel cage fans.

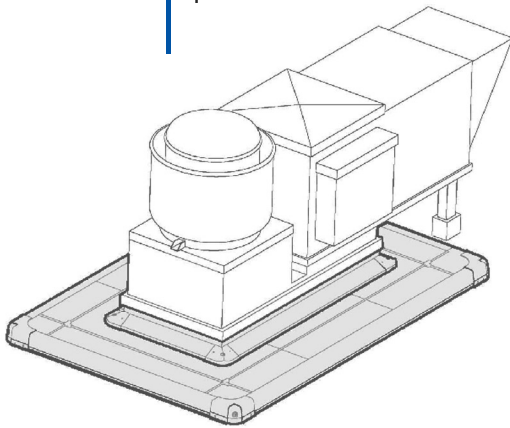
Model	Curb Dimensions
XD 66x99	Up to 38" x 71"
XD 99x132	Up to 71" x 104"



SUPREME GREASE GUARD

For use with supreme or box style exhaust fans.

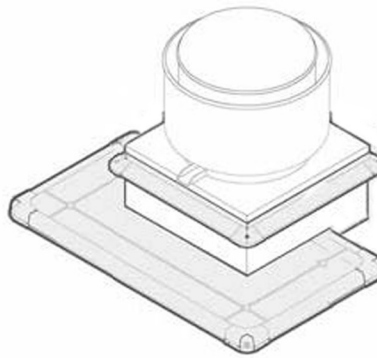
Model	Curb Dimensions
XD 99	Up to 71" x 71"
XD 132	Up to 104" x 104"



COMBINATION GREASE GUARD

For use with utility or squirrel cage fans.

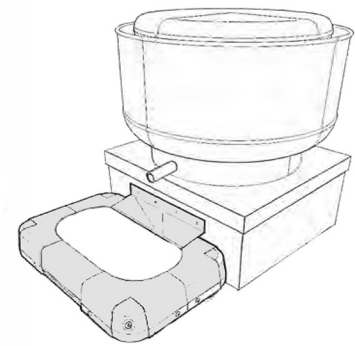
Model	Curb Dimensions
XD 66x99	Up to 38" x 71"
XD 99x132	Up to 71" x 104"



GREASE GUARD JR.

For use with utility or squirrel cage fans.

Model	Curb Dimensions
XDJR 66	Up to 38" x 38"
XDJR 99	Up to 71" x 71"



DRIP GUARD

For use with utility or squirrel cage fans.

Model	Curb Dimensions
DG	Most