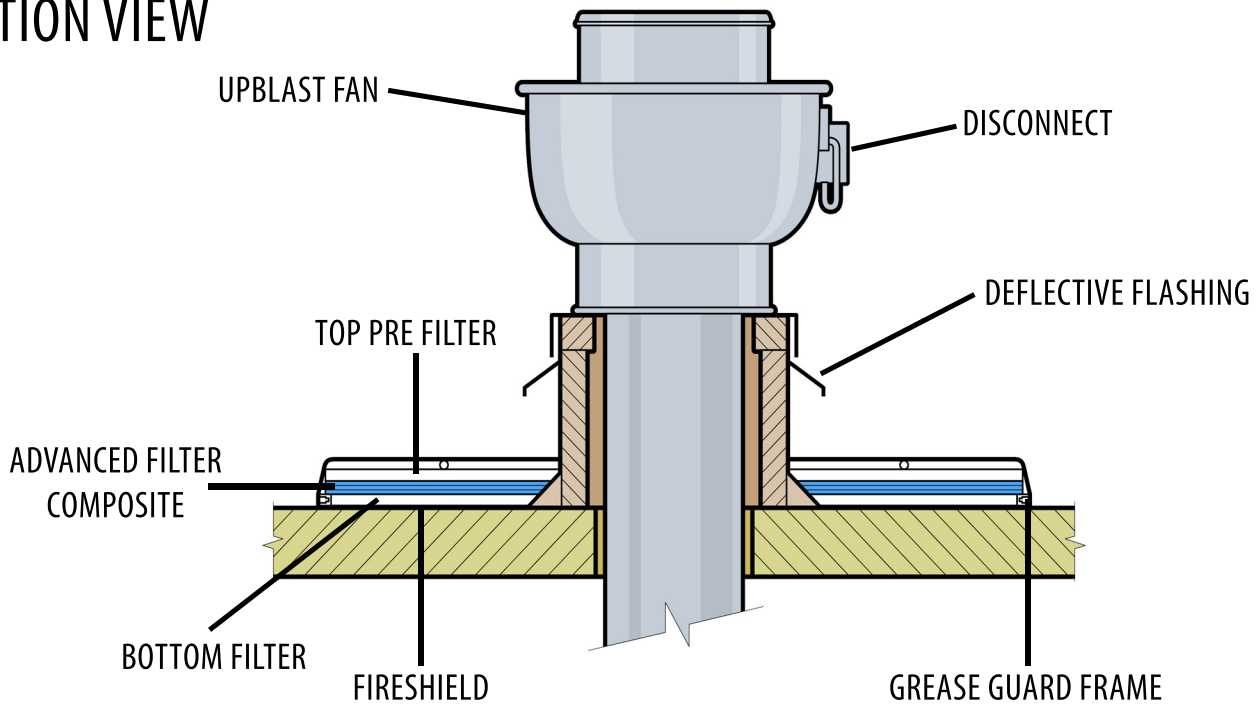


# SPECIFICATION

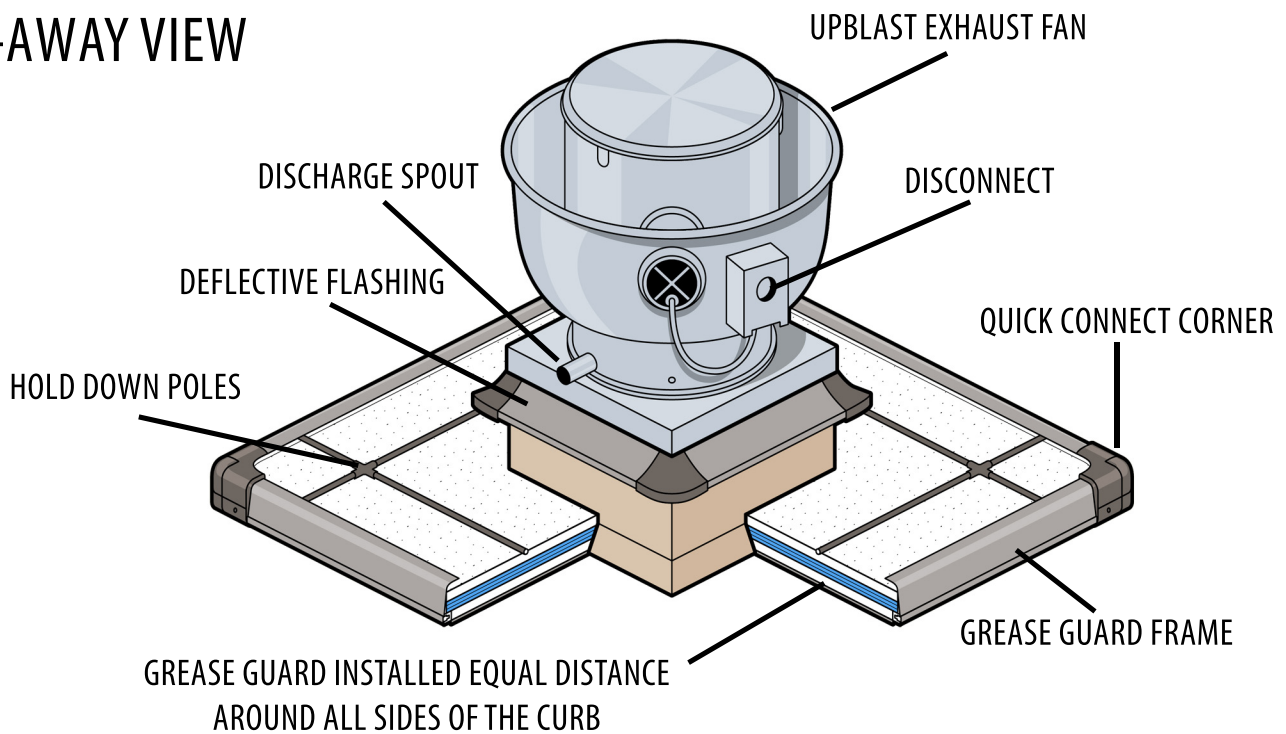
G2 XD/XHD GREASE GUARD DETAILED SPECIFICATION



## SECTION VIEW



## CUT-AWAY VIEW



Question not answered?  
Give us a call or visit us!



1-800-913-7034  
www.greaseguard.com